

# RS2000 Z-Master Z-Master SMA

ref. 100.0075.00 | ref. 100.0075.50 (SMA)



## Z-Master and Z-Master SMA Features

Device used as coordinator of the Zigbee Network for all products in the Zigbee Family.

Installed with a Remote Terminal Unit with Zigbee concentrator application.

Power supplied via Serial Port - 5VDC.



## Data Transmitters from CAS Tecnologia

Offers connectivity to the most varied types of businesses, enabling remote communication between different equipment.

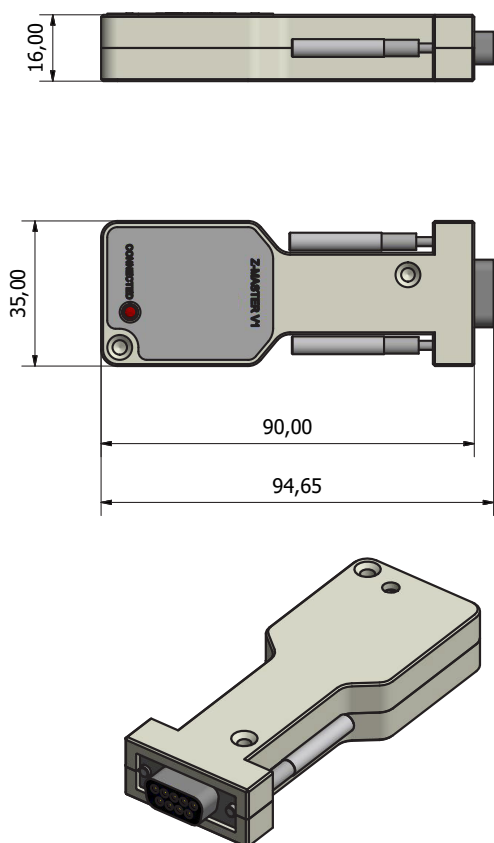
RS2000 Line of Data Transmitters from CAS Tecnologia feature end-to-end communication technologies via Radio or Mesh Network, enabling local or short-distance communication to the concentrator at low cost.

## Technical Specification

Transmission technology	Zigbee
Connector A	Female DB9
Frequency	2,400~2,480 MHz
Maximum output power	67mW
Antenna	Internal - up to 200 m outdoor coverage (RS2000 Z-Master) External – via SMA connector (RS2000 Z-Master SMA)
Average consumption	1W
Power Supply	5VDC - DB9F connector, pin 9
Operating temperature	0°C to +70°C
Sizes	90 x 35 x 17 mm
Weight	45g
IP Code	IP50

## Technical Design

Z-Master



Z-Master SMA

